



Colors: Charcoal Gray/Old Town Gray/Tahoe Blue
Architect: Environmental Works
Installer: Tecta America

NRM-8000 PANELS • Flush Panel

NRM-8000 flush mount panels are designed for wall, fascia and soffit applications where a flush or flat appearance is desired. A rounded interlock leg, concealed fastening system improves the flush appearance while providing additional strength. Panels are factory formed to length to minimize field cutting (12.00" – 45.00'). NRM-8000 panels are available in 14 different profiles from standard 12" wide smooth to specific reveals and striations.

NRM-8000 panels are intended for use in vertical and horizontal wall, fascia and soffit applications. It is not intended for use in roofing or mansard applications.

Stiffening beads (ribs) & striations: NRM-8000 panels are available with 1, 2, or 3 pencil ribs or striations. These cosmetic enhancements are recommended for longer panel lengths.



TRIM

All flashing and trim shall be fabricated by Nu-Ray Metals or a qualified fabricator. Flashing for this panel shall be steel (18, 20, 22, 24, or 26 gauge), or aluminum (.050, .040, or .032).

INSTALLATION

NRM-8000 panels shall be installed over a solid deck or wall with appropriate 30# felt or ice and water shield, or, in limited applications, over framing sections. When used in a windscreen application, panels must be fastened through side joints.

HANDLING

Vinyl masking is provided on all steel sheet to help protect materials where extra handling is expected.

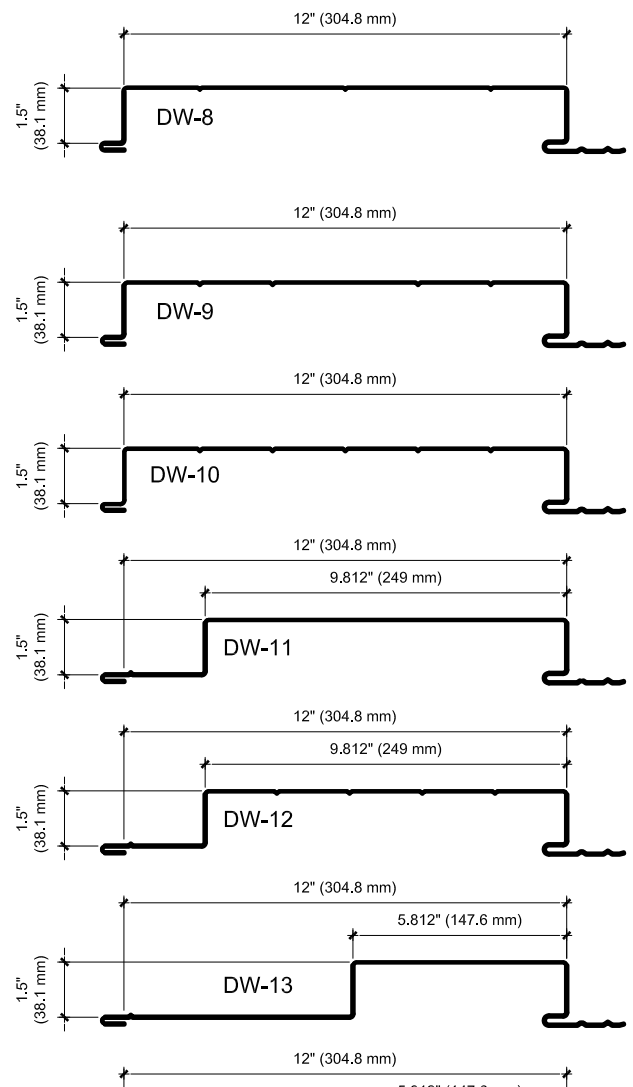
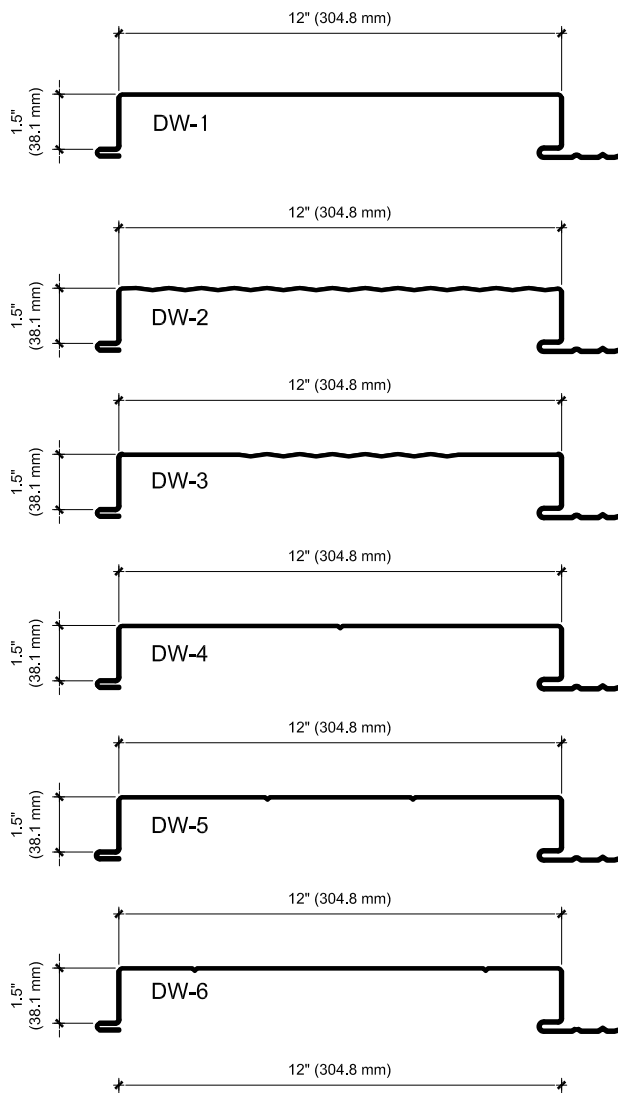
WARRANTY

A 40-year non-prorated finish warranty can be supplied covering finish performance.

Nu-Ray Metals
Steel Roofing & Siding Products

Nu-Ray Metal Products, Inc. 1234 37th Street NW Auburn, WA 98001
Tel. (800) 700-7228 Fax (253) 833-7268 Web NuRayMetals.com

NRM-8000 Flush Concealed Fastener Panel



NRM-8000 FEATURES

- No exposed fasteners for a clean, continuous application
- Architectural structural panel designed for vertical or horizontal applications on walls, fascia and soffits
- Easy to install tongue-and-groove engagement system
- Optional single or double venting and full perforation
- 14 different profiles to meet your design criteria
- 2" and 6" reveals available

PANEL DEPTH : 1 3/4"

PANEL COVER WIDTH : 12" or 16"

PANEL LENGTHS: 5 ft. to 45 ft. standard

TEFLON® is a registered trademark of The Chemours Company FC, LLS used under sublicense by Nu-Ray Metal Products, Inc.

METAL OPTIONS

- 18, 20, 22, 24 and 26 gauge G90 or AZ50 steel
- .032, .040 and .050 aluminum
- 16 oz. or 20 oz. natural copper
- 20, 22, 24 and 26 gauge stainless steel

SURFACE OPTIONS

- Smooth
- 1 line (single) vent strip
- 2 line (double) vent strip
- Perforated

FINISHES

- D2 Kynar 500® ULTRA-Cool™
- D2 Kynar 500® with Ocean Guard ULTRA-Cool™
- Zinalume Plus*
- Standard Kynar 500® ULTRA-Cool™

Kynar® and Kynar 500® are registered trademarks of Arkema Inc. used under sublicense by Nu-Ray Metal Products, Inc.

Nu-Ray Metals
Steel Roofing & Siding Products

(800) 700-7225

www.NuRayMetals.com

Questions? Contact our Technical Department at
info@nuraymetals.com